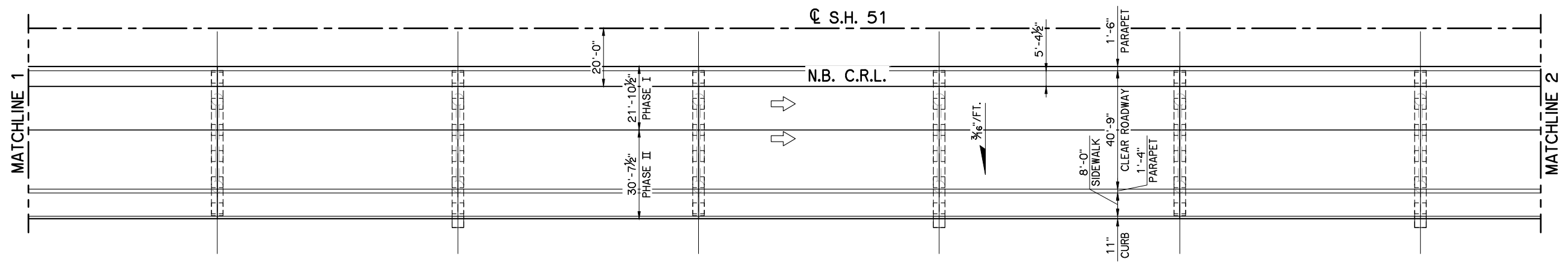
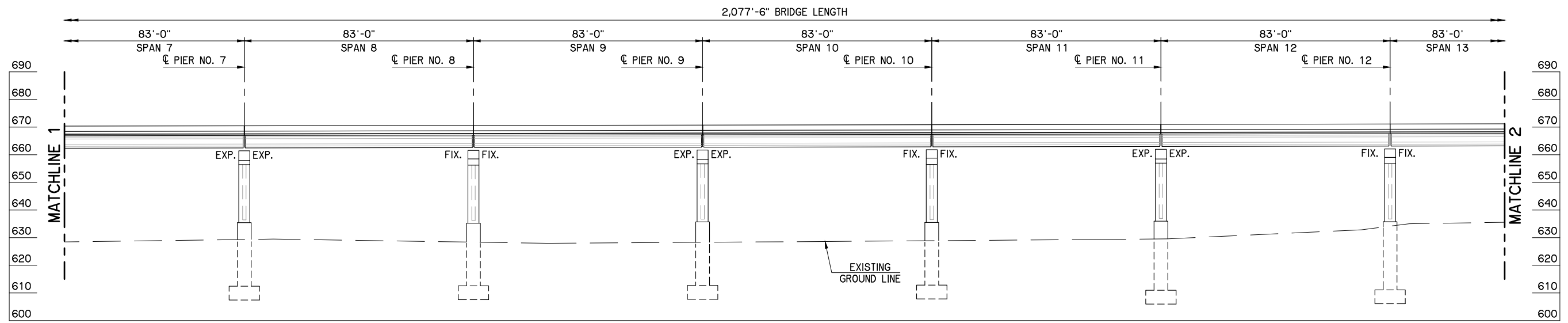


REVISIONS		
REV. NO.	DESCRIPTION	DATE



PLAN
SCALE: 1" = 20'-0"



ELEVATION
SCALE: 1" = 20'-0"

SH 51 NB OVER ARKANSAS RIVER		TULSA COUNTY	
GENERAL PLAN AND ELEVATION 25 - 83' P.C. BEAM SPANS 40.75' CLEAR ROADWAY WITH SLOPED FACE PARAPETS SHEET 2 OF 4		Design	ADT
		Detail	FEZ
		Check	ADT
STATE OF OKLAHOMA DEPARTMENT OF TRANSPORTATION JOB PIECE NO. 31358(04)		WHITE ENGINEERING ASSOCIATES SHEET NO. 6	

I:\Active\1626\Drawings\6 PE 2 of 4.dwg, 6/12/2017 11:07:06 AM, Fred